

DF 4065

Manual Copy Router



Kaban Makina Sanayi ve Tic. Ltd. Őti.

Hadımköy Atatürk Sanayi Bölgesi, Ömerli Mahallesi, 75.Yıl Caddesi, Uzunçayır Sokak, No:12, P.K. 34555 Arnavutköy İstanbul

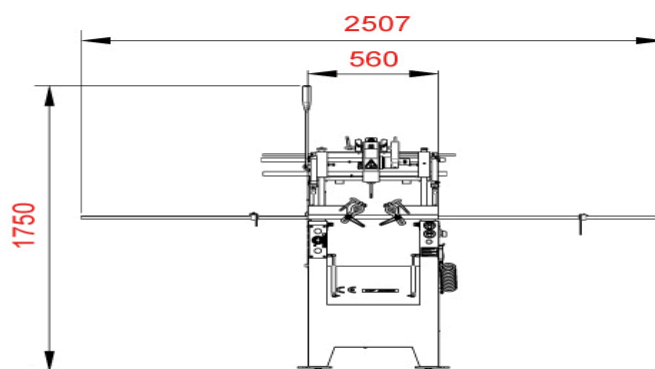
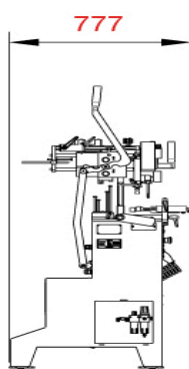
www.kaban.com.tr

DF 4065 Manual Copy Router

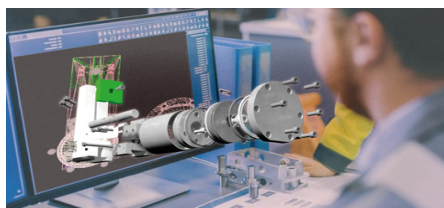


- Robust mechanical structure suitable for high speed
- Capability to perform operations such as espagnolette canal, lock, barrel slot, handle holes etc.
- Rotary height-adjustable mechanical support group

- 1:1 copying over the template
- Hand-operated structure guided by the tracker tip
- Coolant spray system



DF 4065 Manual Copy Router

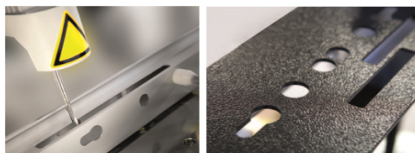


Design

- Mechanical structure that can process aluminum profiles at high speed and high quality
- Capable of making operations such as espagnolette canals, locks, barrel slots and handle holes, etc.
- Rotary height-adjustable mechanical support group

Cutter

- 3 axis machining feature
- 1:1 copying over the template
- Hand-operated structure guided by the tracker tip
- Ability to open channels without templates thanks to support shafts
- Coolant spray system



Safety

- Security labels
-

DF 4065 Manual Copy Router

Machine Features	Machinable Profile Size	Height	100	mm
	Machinable Profile Size	Width	120	mm
	Milling	Motor power	1,4	kW
	Milling	Cycle	12000	rpm
Technical Specifications	Air	Pressure	6-8	bar
	Air	Total Air Consumption	12	l/min
	Feed	Voltage	230	V
	Feed	Power	1,4	kW
	Weight	Net	115	kg
	Weight	Gross	136	kg
	Sound	Level	96	dB
	Machine Dimensions	Length	2507	mm
	Machine Dimensions	Width	810	mm
	Machine Dimensions	Height	1645	mm

DF 4065 Manual Copy Router

Options



MR 100 Centering System

- It allows to find the center point of the profile when triple drilling